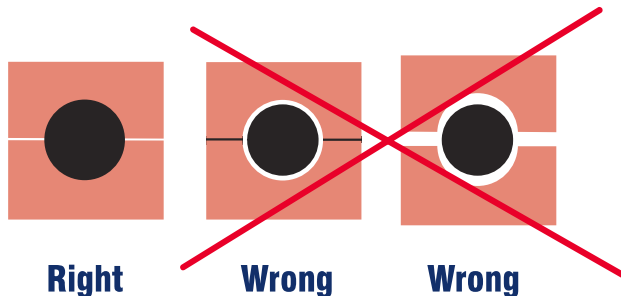
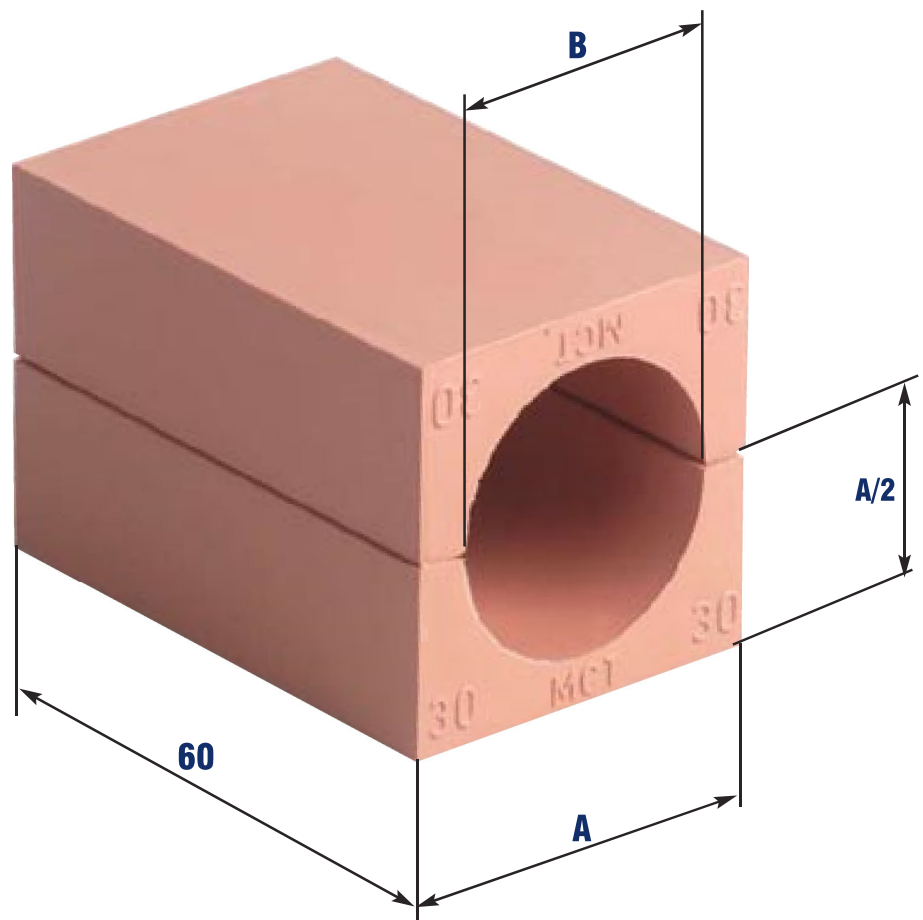


Insert Blocks

Our range of Insert Blocks seal cables between 4 and 100mm in diameter. It is important that the insert block is the right size, with respect to the cable, to ensure a proper seal.

Measure the cable diameters carefully and select insert blocks according to the table.

Blocks are referred to by their width (A) and hole diameter (B). Thus a block with a width of 15mm and a hole diameter of 4mm is referred to as 15/4.



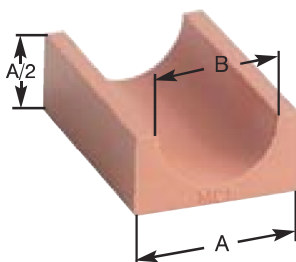
Cable/ Pipe Diam.mm	A							B
	15	20	30	40	60	90	120	
3.5 - 4.5	15/4	20/4						4
4.5 - 5.5	15/5	20/5						5
5.5 - 6.5	15/6	20/6						6
6.5 - 7.5	15/7	20/7						7
7.5 - 8.5	15/8	20/8						8
8.5 - 9.5	15/9	20/9						9
9.5 - 10.5		20/10						10
10.5 - 11.5		20/11						11
11.5 - 12.5		20/12	30/12					12
12.5 - 13.5		20/13	30/13					13
13.5 - 14.5		20/14	30/14					14
14.5 - 15.5		20/15	30/15					15
15.5 - 16.5		20/16	30/16					16
16.5 - 17.5			30/17					17
17.5 - 18.5			30/18					18
18.5 - 19.5			30/19					19
19.5 - 20.5			30/20					20
20.5 - 21.5			30/21					21
21.5 - 22.5			30/22	40/22				22
22.5 - 23.5			30/23	40/22				23
23.5 - 24.5			30/24	40/24				24
23.5 - 25.5				40/24				24
25.5 - 27.5				40/26				26
27.5 - 29.5				40/28				28
29.5 - 31.5				40/30				30
31.5 - 33.5				40/32	60/32			32
33.5 - 35.5				40/34	60/34			34
35.5 - 37.5					60/36			36
37.5 - 39.5					60/38			38
39.5 - 41.5					60/40			40
41.5 - 43.5					60/42			42
43.5 - 45.5					60/44			44
45.5 - 47.5					60/46			46
47.5 - 49.5					60/48			48
49.5 - 51.5					60/50			50
51.5 - 53.5					60/52			52
53.5 - 55.5					60/54			54

Weight In Grams						
15	20	30	40	60	90	120
10	18					
10	18					
10	17					
10	17					
9	16					
8	15					
	14					
	13					
	13	36				
	12	36				
	11	35				
	10	34				
	9	33				
		31				
		30				
		28				
		27				
		25				
		24	57			
		22	57			
		21	54			
			54			
			50			
			47			
			42			
			37	131		
			32	127		
				122		
				116		
				110		
				104		
				98		
				91		
				84		
				77		
				61		
				59		

Insert Blocks For Cables/pipes 49.5 - 69.5 Diameter Now Only Available In Addblock Range (see page 32).

69.5 - 71.5					90/70		70
71.5 - 73.5						120/72	72
73.5 - 75.5						120/74	74
75.5 - 77.5						120/76	76
77.5 - 79.5						120/78	78
79.5 - 81.5						120/80	80
81.5 - 83.5						120/82	82
83.5 - 85.5						120/84	84
85.5 - 87.5						120/86	86
87.5 - 89.5						120/88	88
89.5 - 91.5						120/90	90
91.5 - 93.5						120/92	92
93.5 - 95.5						120/94	94
95.5 - 97.5						120/96	96
97.5 - 99.5						120/98	98
99.5 - 101.5						120/100	100

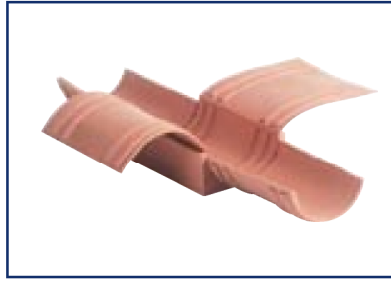
						204	
							494
							485
							472
							462
							448
							437
							425
							415
							403
							385
							368
							360
							351
							332
							313



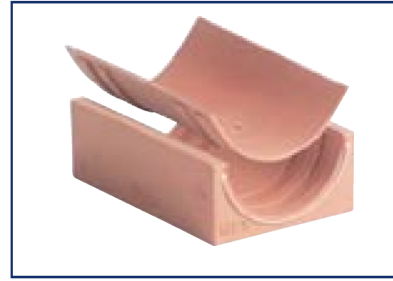
NOTE: Insert blocks are supplied in halves. Two insert blocks require to seal each cable/pipe.

- The Company
- Why MCT Brattberg
- The Products
- Multiple Frames
- Planning the Packing Space
- Frames for Marine/Offshore
- Frames for Civil/Industry
- RGP Frames & Seals
- Blocks & Components**
- Frame Installation Methods
- Packing Guides
- EMC Protection
- Deck & Bulkhead Glands
- SR Cable & Pipe Seals
- MSR Cable Glands
- X-Series Cable Transit
- Transit Planning Software

AddBlocks



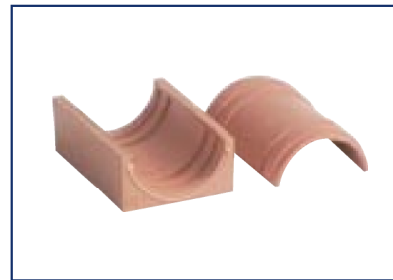
The AddBlock comes complete with inserts to give five different block sizes.



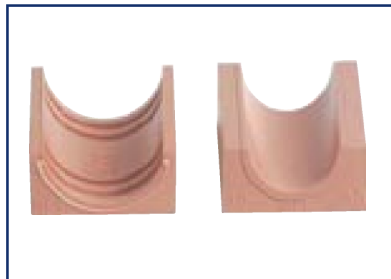
Inserts should be removed and fitted into the main block to give the required diameter.



The unique locaters not only provide a secure anchor for the inserts, they also allow the removal and replacement to give the required diameter.



Inserts are marked with a diameter. Select the required diameter and fit into the main block.



The complete block provides a quality, inspectable and truly flexible Insert Block.



All insert sheets may be removed to give the largest sized diameter.

Cable Or Pipe Diameter (mm)	Block Reference	Weight In Grams / Half
3.5 - 8.5	20/4 - 8	23
8.5 - 13.5	20/9 - 13	24
13.5 - 18.5	30/14 - 18	46
18.5 - 23.5	30/19 - 23	43
23.5 - 28.5	40/24 - 28	71
28.5 - 33.5	40/29 - 33	63
33.5 - 38.5	60/34 - 38	150
38.5 - 43.5	60/39 - 43	139
43.5 - 49.5	60/44 - 48	126
49.5 - 59.5	90/50 - 58	348
59.5 - 69.5	90/60 - 68	321

The AddBlock is available in eleven module sizes, each size giving 5 adjustable diameters and a total of 55 inspectable inserts.

Insert Blocks are supplied in halves. Two Insert Blocks required to seal pipe/cable.

Plugs & Wraps



P20/8
 Plug 8mm dia.
 Fits AddBlock 20/4-8



P20/8
 Plug 8mm dia.
 With wrap-around casing
W-20-8/13
 Fits AddBlock 20/9-13



P30/18
 Plug 18mm diam.
 Fits AddBlock 30/14-18



P30/18
 Plug 18mm dia.
 With wrap-around casing
W-30-18/23
 Fits AddBlock 30/19-23



P40/28
 Plug 28mm diam.
 Fits AddBlock 40/24-28



P40/28
 Plug 28mm dia. With
 wrap-around casing
W-40-28/33
 Fits AddBlock 40/29-33



P60/38
 Plug 38mm dia. Fits in AddBlock 60/34-38



P60/38
 Plug 38mm dia.
 With wrap-around casing
W-60-38/43
 Fits in AddBlock 60/39-43
 With additional casing
W-60-43/48
 Fits in AddBlock 60/44-48



AddBlock/Plug & Wrap

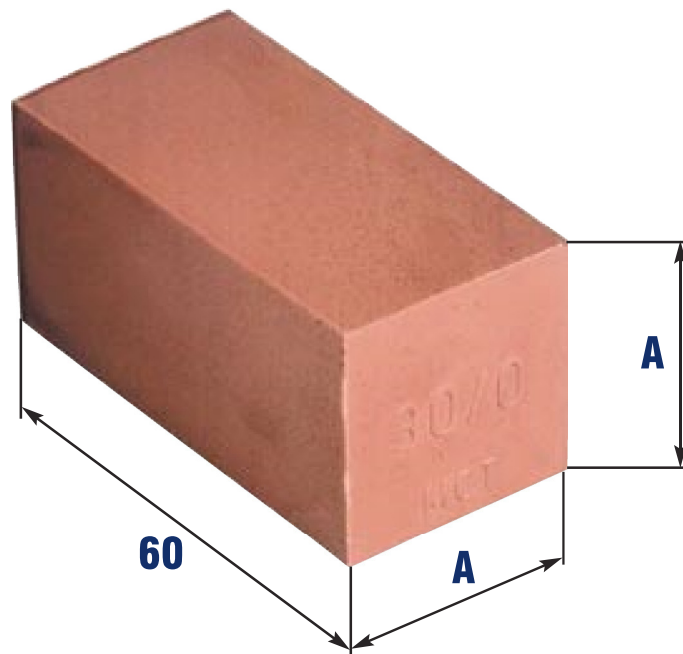
Plugs and wraps are used to convert an AddBlock into a Spare Block

- The Company
- Why MCT Brattberg
- The Products
- Multiple Frames
- Planning the Packing Space
- Frames for Marine/Offshore
- Frames for Civil/Industry
- RGP Frames & Seals
- Blocks & Components**
- Frame Installation Methods
- Packing Guides
- EMC Protection
- Deck & Bulkhead Glands
- SR Cable & Pipe Seals
- MSR Cable Glands
- X-Series Cable Transit
- Transit Planning Software

Spare Blocks

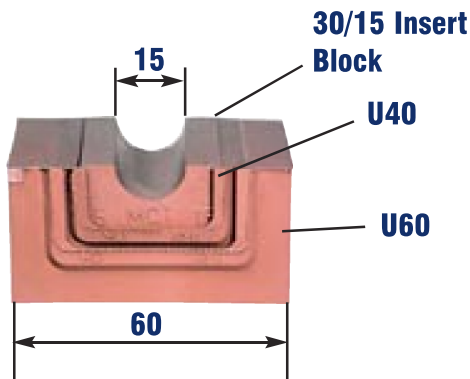
The unused space in the frame is filled with solid spare blocks. Using the spare blocks allows the option of fitting new cable in the future. They have the designation A/0. Blocks are referred to by their width (A), followed by the designation /0 (indicating solid).

A block with a width and height of 15mm is referred to as 15/0.



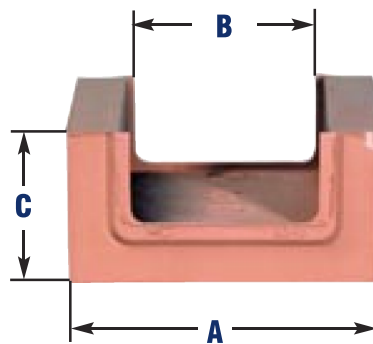
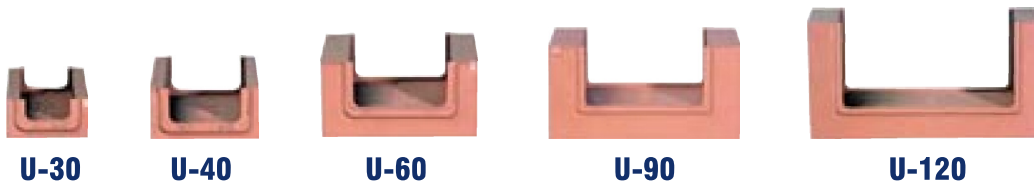
Spare Blocks		
Block Size Width (A) = Height (A)	Block Designation	Weight Grams
5 x 5 <i>Only in strips of 24 pcs</i>	24 x 5/0	58
10 x 10 <i>Only in strips of 12 pcs</i>	12 x 10/0	113
15 x 15	15/0	20
20 x 20	20/0	38
30 x 30	30/0	84
40 x 40	40/0	150
60 x 60	60/0	338
90 x 90	90/0	766
120 x 120	120/0	1374
180 x 180	180/0	2990

U-Blocks



The U-Block is used to convert the external dimensions of Insert Blocks, AddBlocks and Spare Blocks to the next modular size.

For example a 30/15 Insert Block can be enlarged by placing it into a U40 and a U60, giving the new size of 60/15.

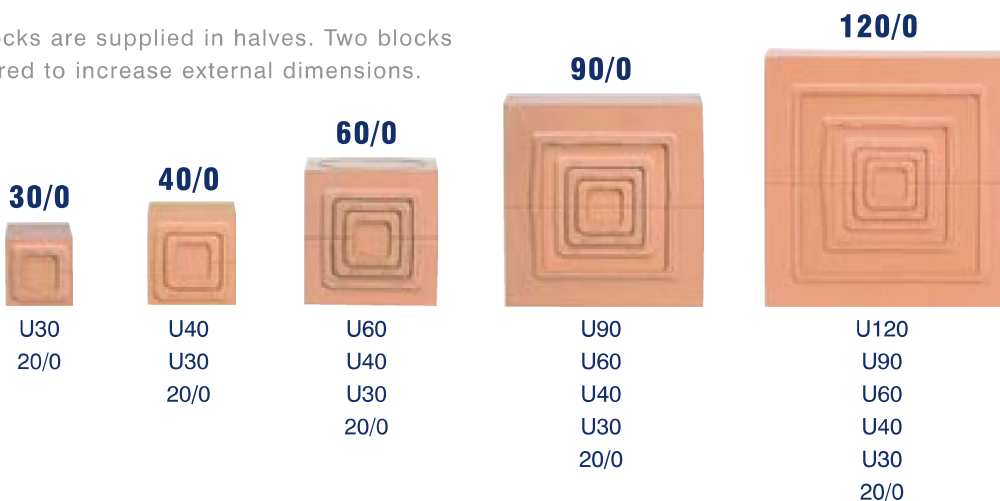


Size	A	B	C
U30	30	20	15
U40	40	30	20
U60	60	40	30
U90	90	60	45
U120	120	90	60

U-Block Combinations

By using the U-Blocks it is possible to increase the range of Spare Blocks. Starting with a 20/0 and the full range of U-Blocks you can convert the following.

U-Blocks are supplied in halves. Two blocks required to increase external dimensions.



- The Company
- Why MCT Brattberg
- The Products
- Multiple Frames
- Planning the Packing Space
- Frames for Marine/Offshore
- Frames for Civil/Industry
- RGP Frames & Seals
- Blocks & Components**
- Frame Installation Methods
- Packing Guides
- EMC Protection
- Deck & Bulkhead Glands
- SR Cable & Pipe Seals
- MSR Cable Glands
- X-Series Cable Transit
- Transit Planning Software